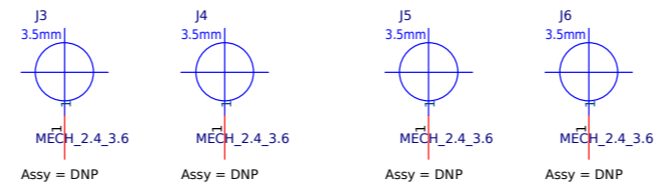
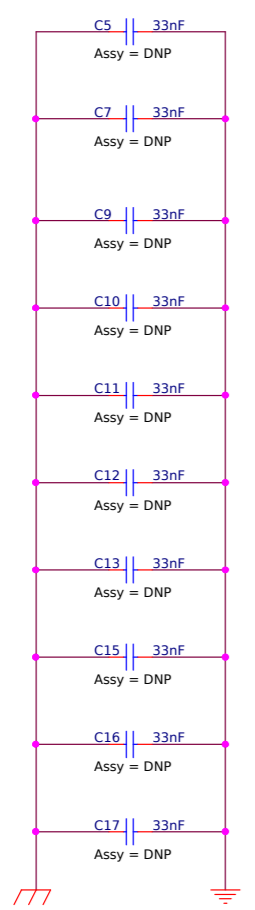


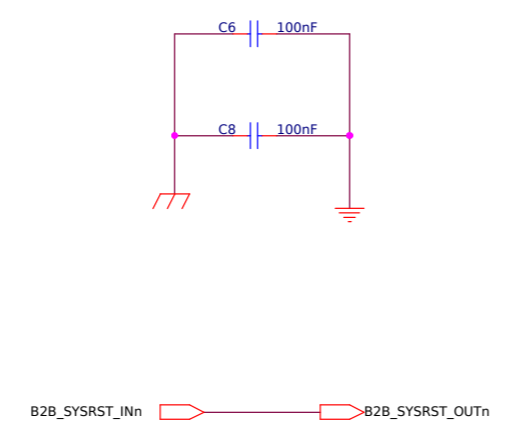
Four mechanical holes for the MicroSoM



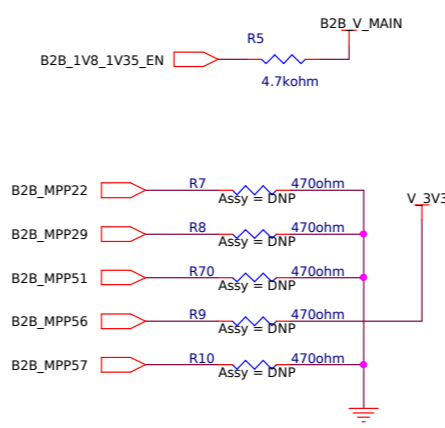
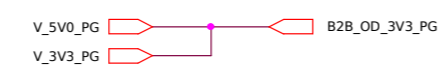
Bypass capacitors between GNDC and GND



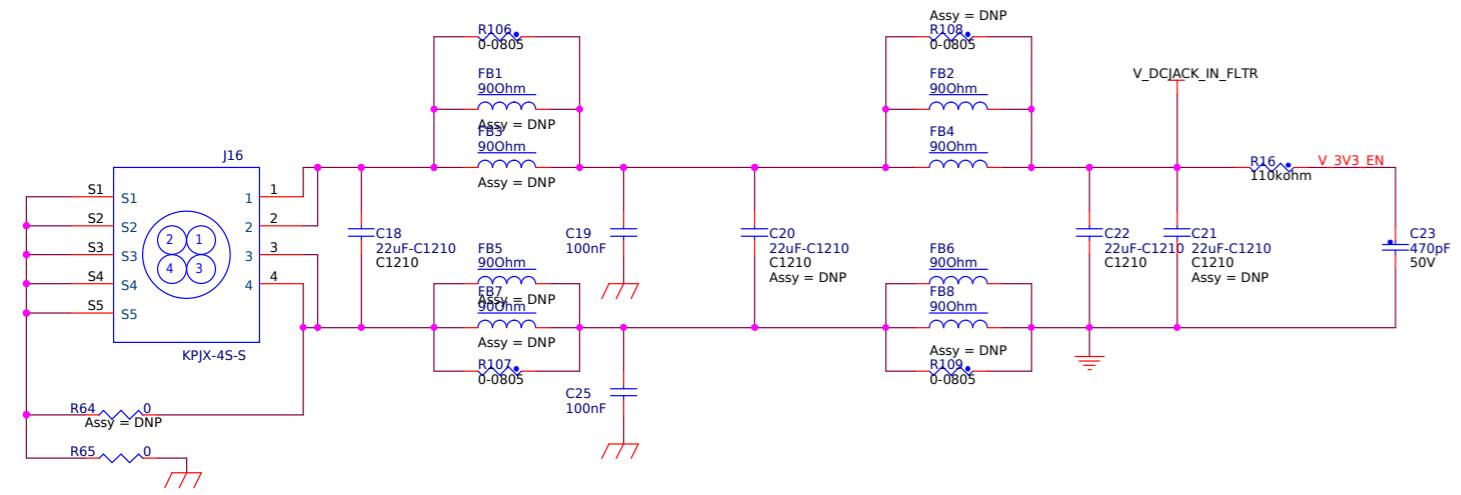
Bypass capacitors for MDIO passing underneath GNDC



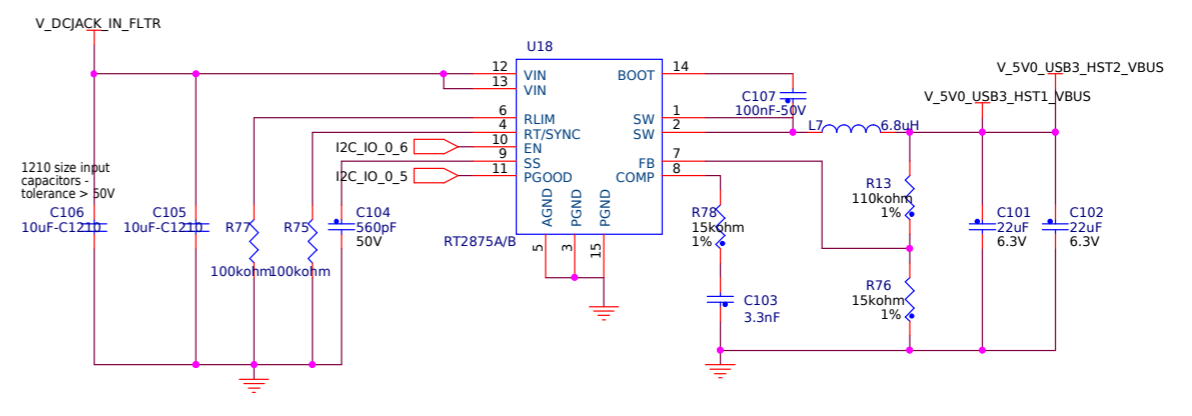
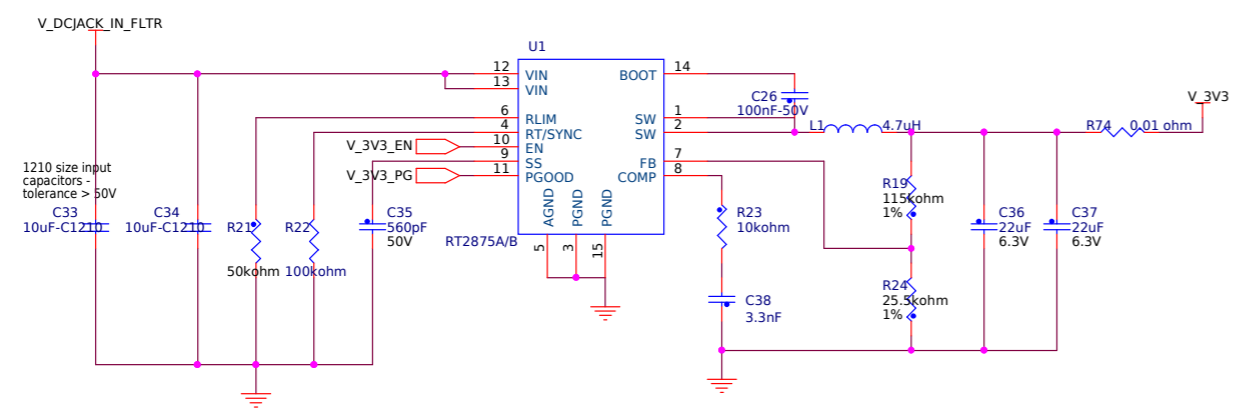
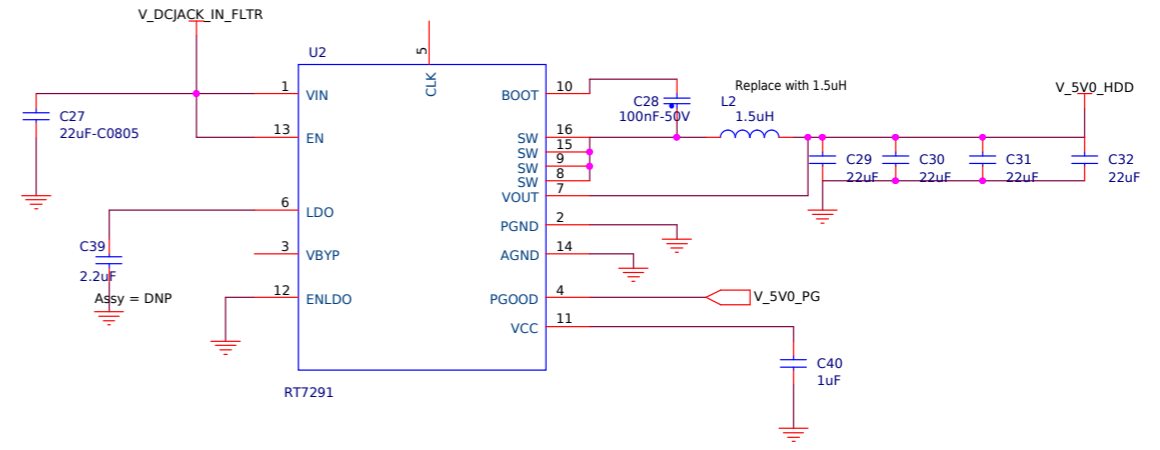
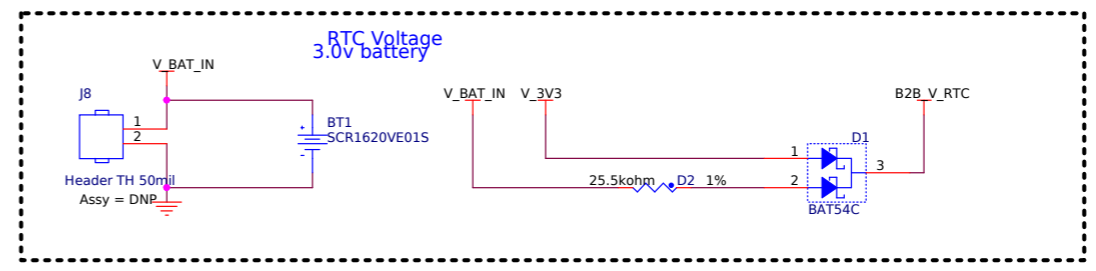
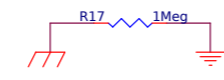
Carrier DC-DC PGOOD Signals will enable CPU DC-DC on uSoM. Signal is pulled up on uSoM.



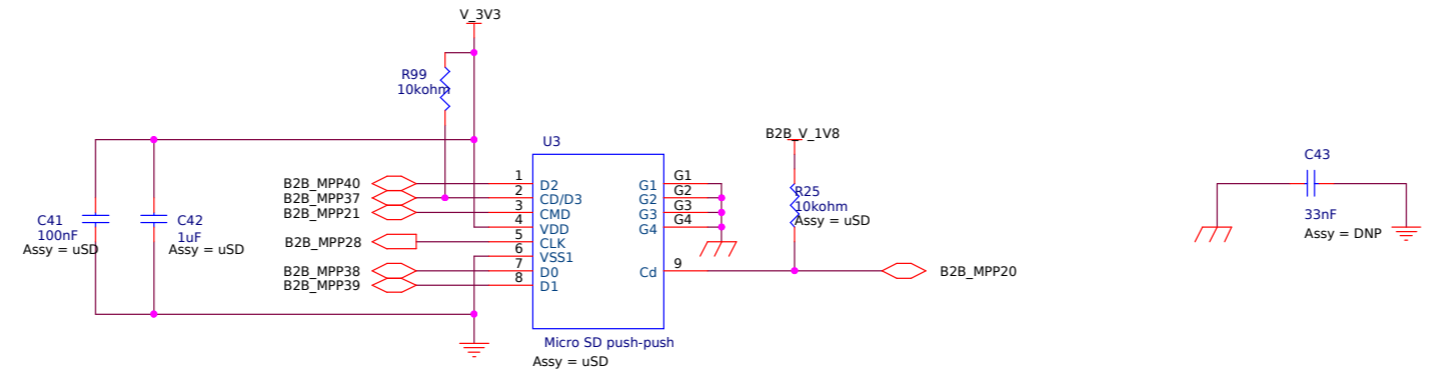
Power Jack



Prevent GND and GNDC DC biasing

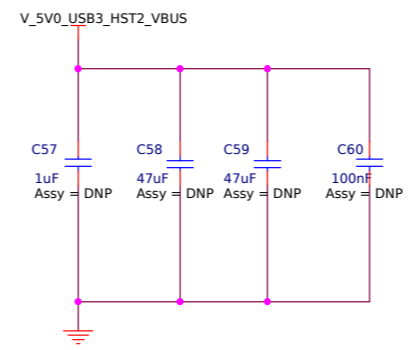
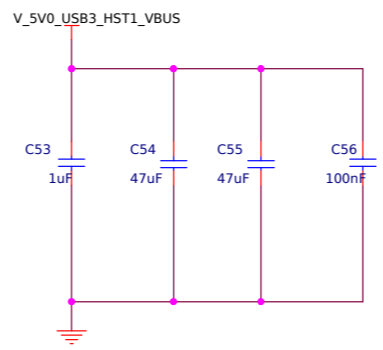
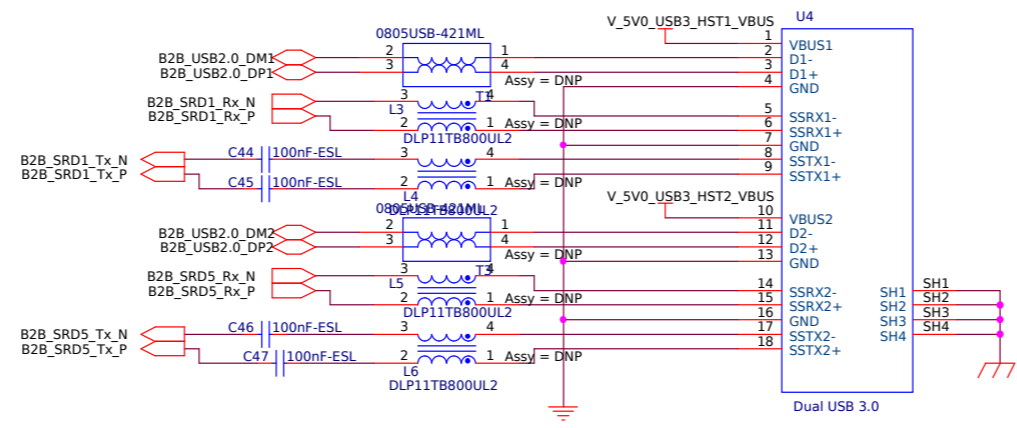


uSD

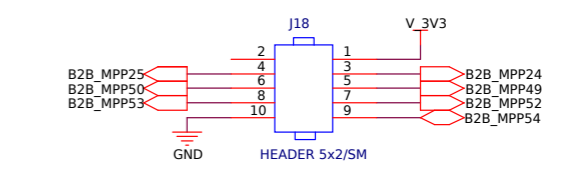
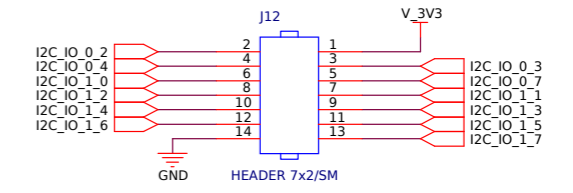
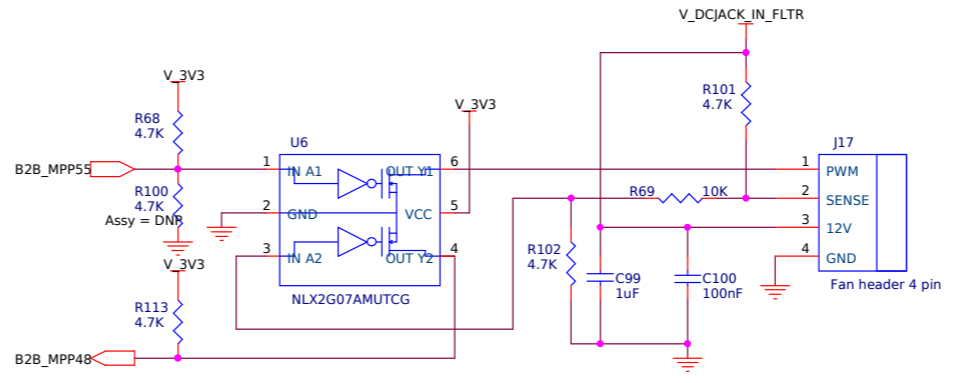
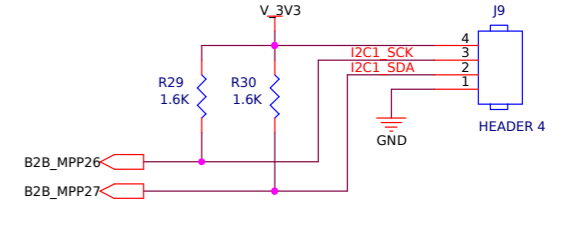
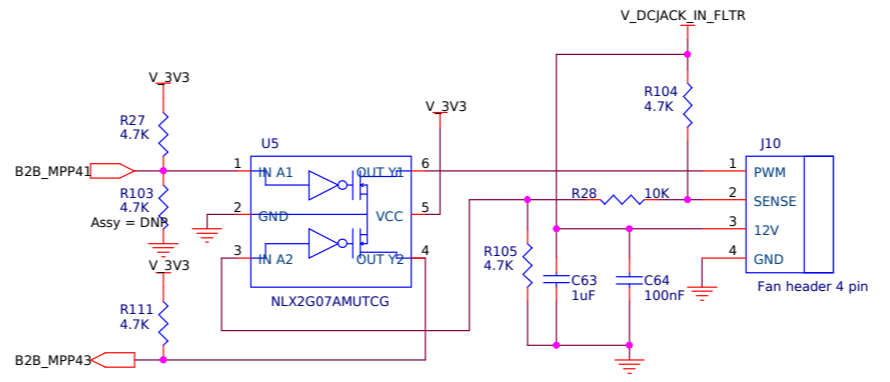
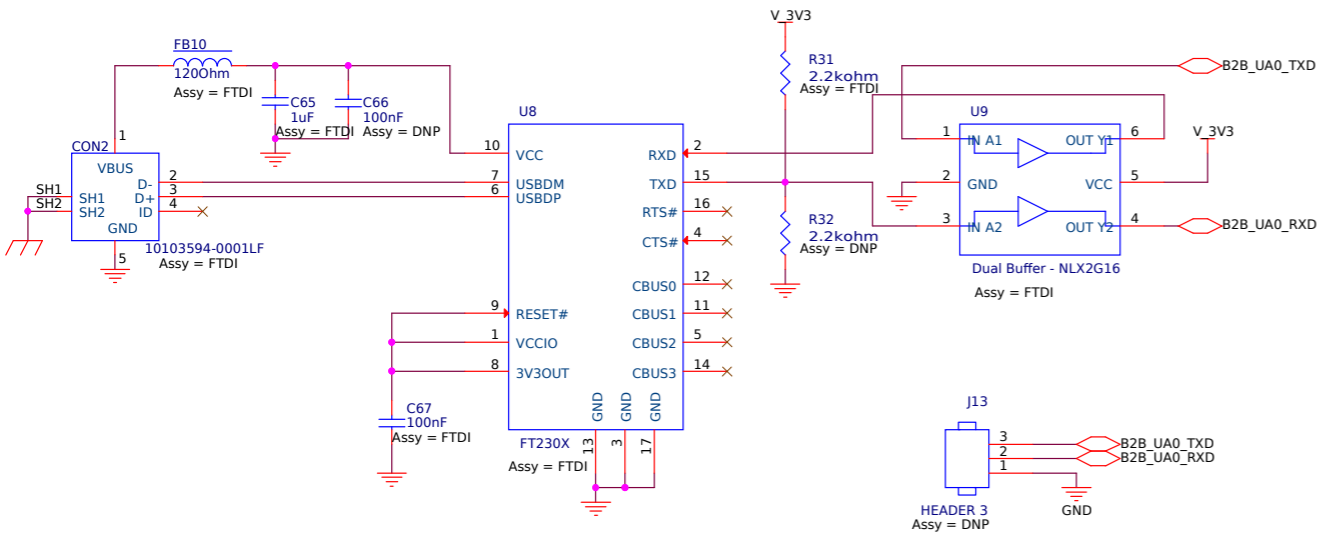


Dual USB-3 Type A

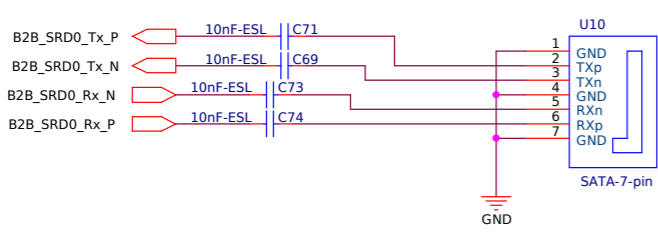
- R81 0
- R82 0
- R83 0
- R84 0
- R85 0
- R86 0
- R87 0
- R88 0
- R89 0
- R90 0
- R91 0
- R92 0



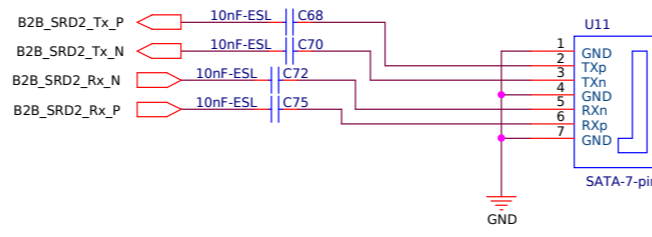
microUSB to UART



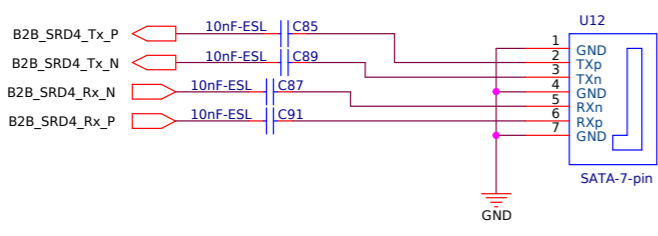
SATA0



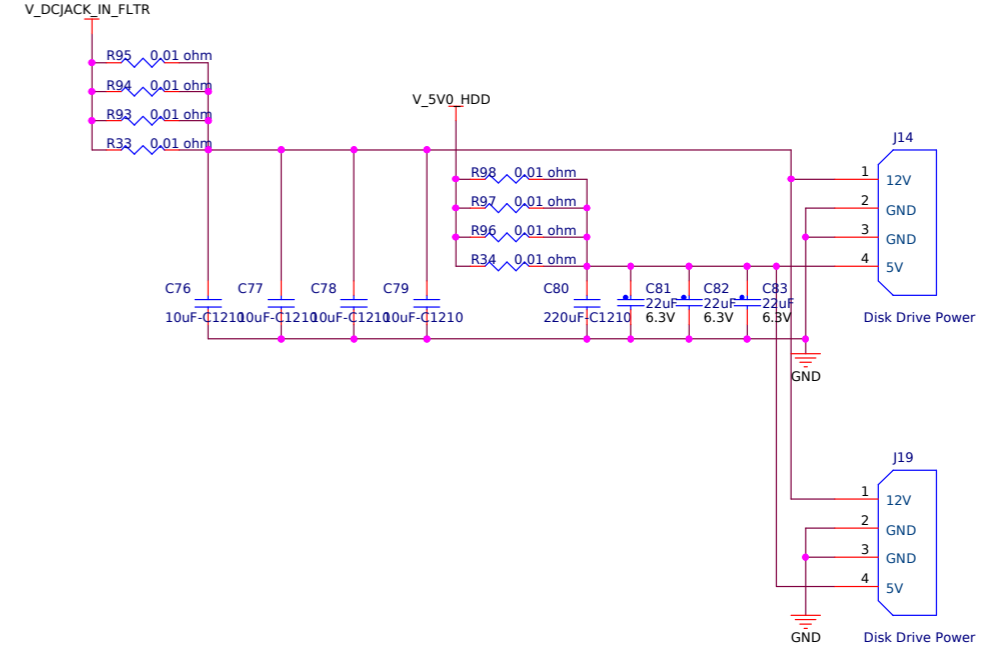
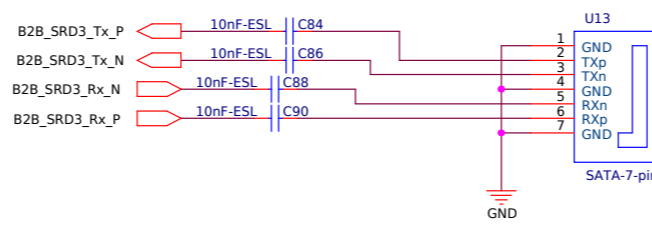
SATA1

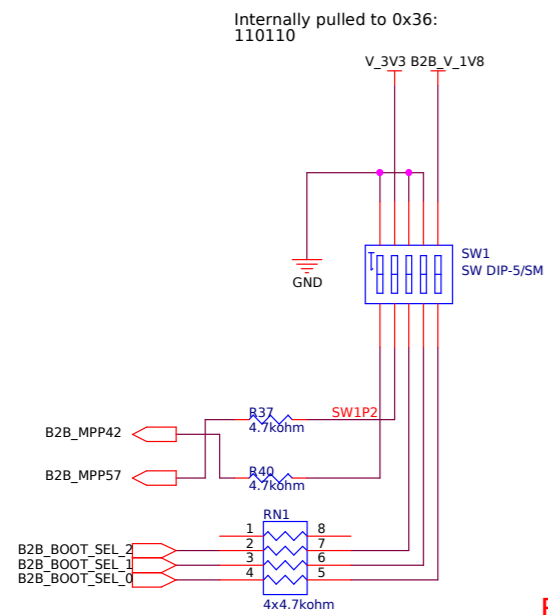


SATA2

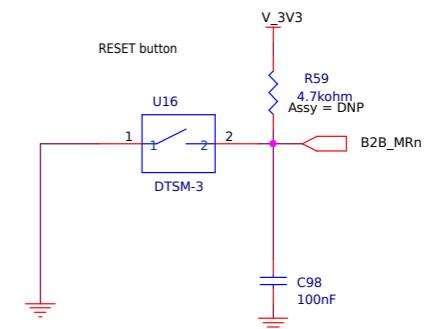
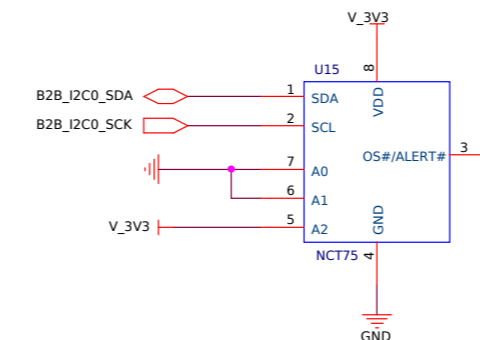
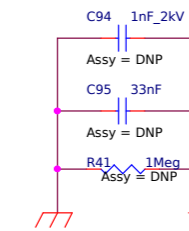
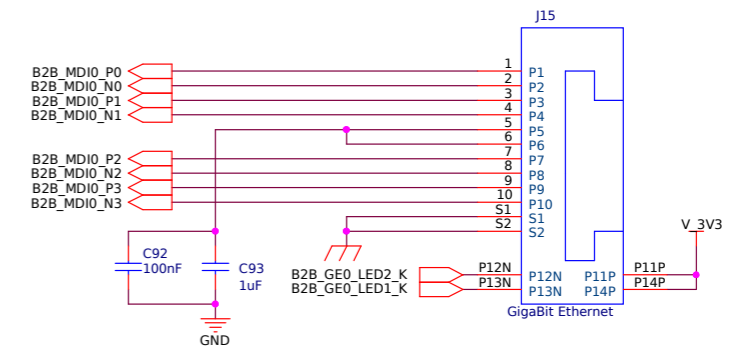
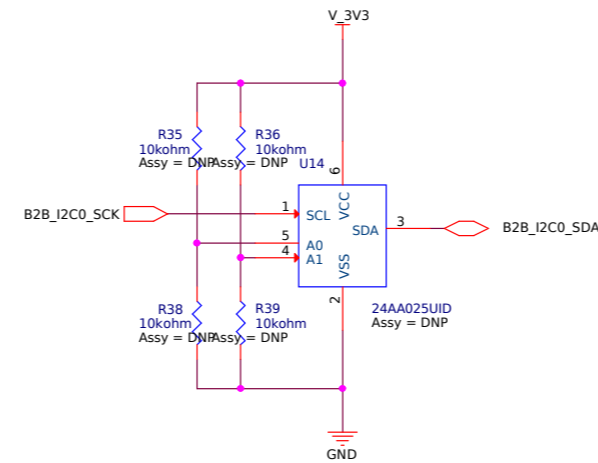
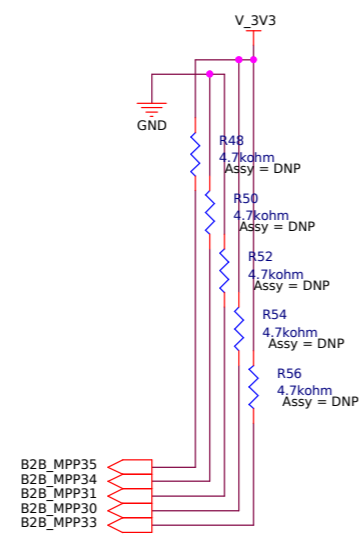
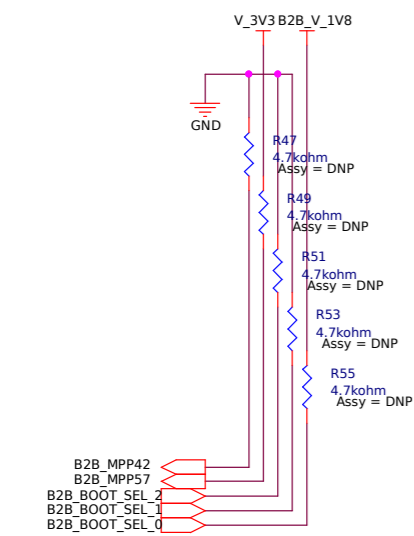


SATA3



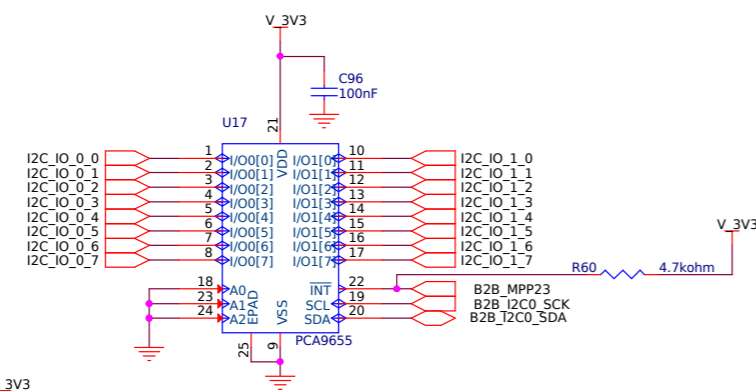


Frequency default Assy



I2C Add: 0x21 I/O Table

I02_0	I02_1	I02_2	I02_3	I02_4	I02_5	I02_6	I02_7	I03_0	I03_1	I03_2	I03_3	I03_4	I03_5	I03_6	I03_7
-------	-------	-------	-------	-------	-------	-------	-------	-------	-------	-------	-------	-------	-------	-------	-------



Board revision.

